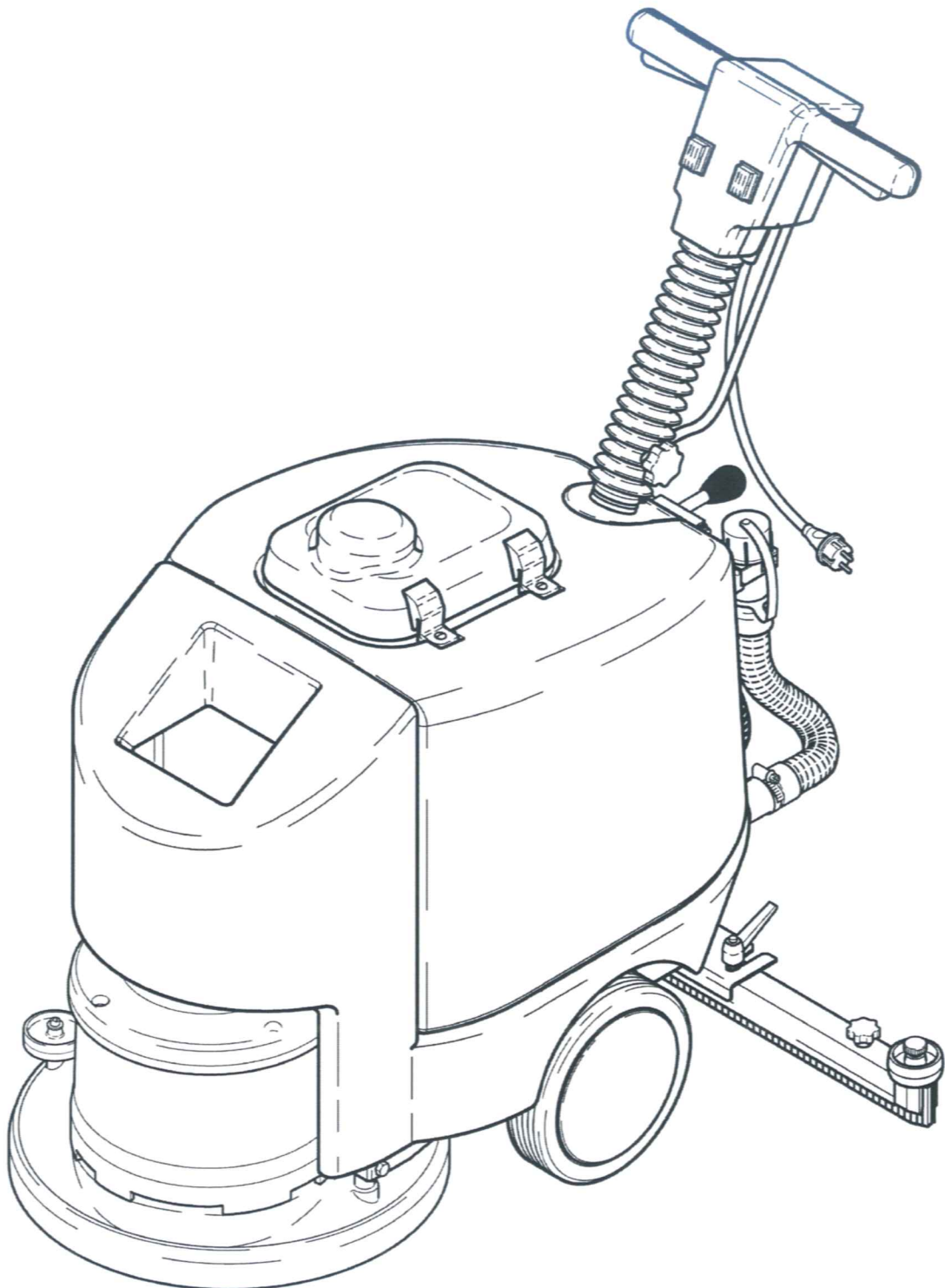


Ersatzteilliste
Spare parts list
Liste des pièces de rechange

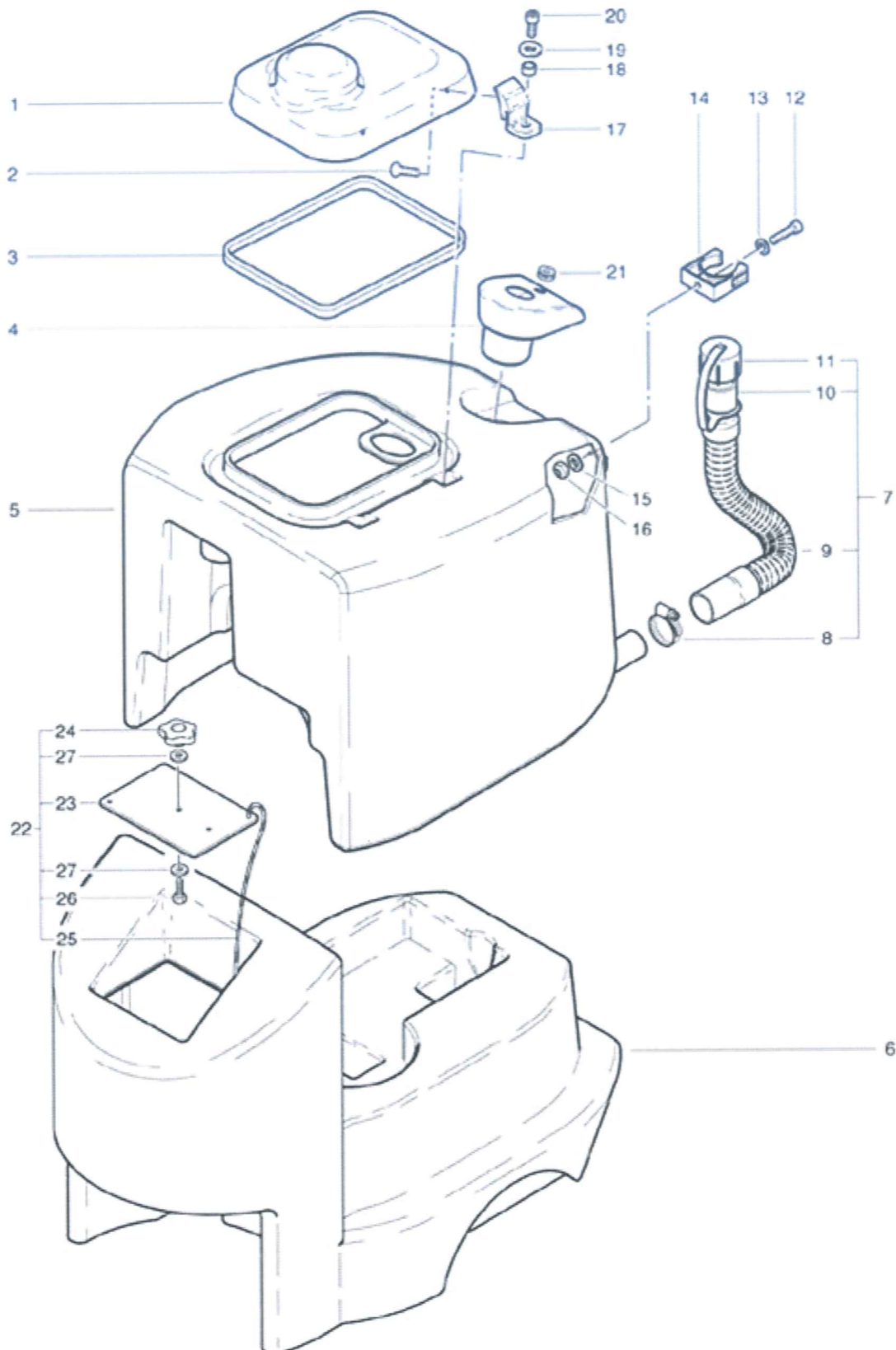


RA 430E Hartbodenreinigungsmaschine
Hard floor cleaners
Automates de nettoyage pour sols durs



RA 430 E
Waste- and clean water tank

As at: 07/01/11 Time:16:02



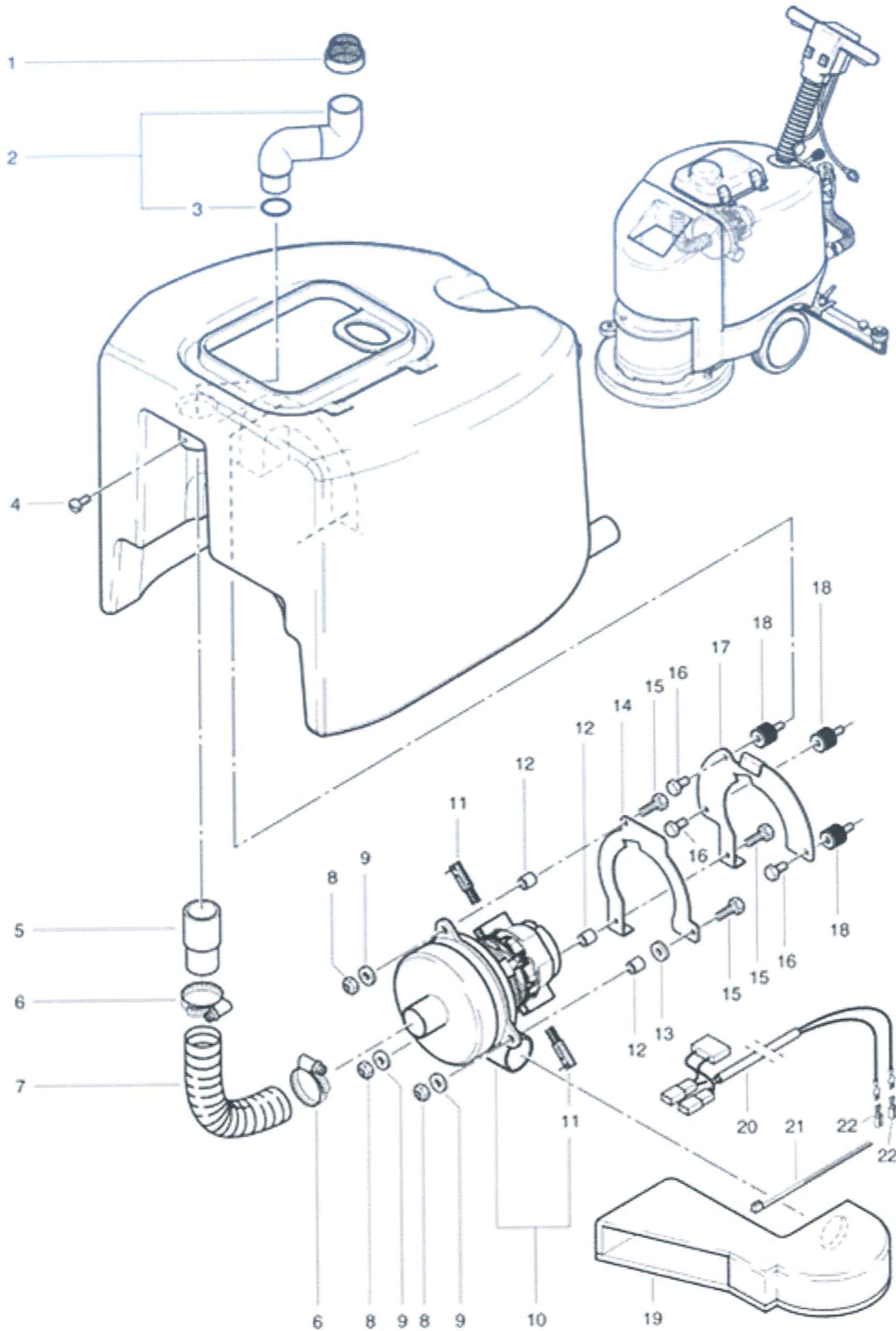
RA 430 E

Waste- and clean water tank

As at: 07/01/11 Time:16:02

Pos.	Description	Reference
01	Cover	P...084 A
02	Countersunk screw M 4x8	P...480 O
03	Seal for cover	041.412
04	Handle support	430.352
05	Waste water tank	430.460
06	Clean water tank	430.410
07	Discharge hose complete, including Items 8-11	420.740
08	Hose clamp 39,5	P...553 R
09	Discharge hose	420.741
10	Hose socket	500.409 A
11	Cover for hose socket	500.410
12	Cylindrical screw M 5x25	P...488 K
13	Washer M 5	P...497 G
14	Hose clamp	P...109 A
15	Washer M 5	P...497 E
16	Security nut M 5	P...493 G
17	Hinge	710.122
18	Distance piece	430.618
19	Washer M 6	P...497 K
20	Cylindrical screw M 5x12	P...488 B
21	Cable through	P...408 K
22	Freshwater tank cover cpl.contenant pos. 30-34	430.414
23	Freshwater tank cover	430.413
24	Asterisk grasp	430.346
25	Cord	490.750
26	Hexagon screw M 8x16	P...472 V
27	Washer M 8	P...510 B

RA 430 E
Vaccum motor assembly
 As at: 07/01/11 Time:16:00

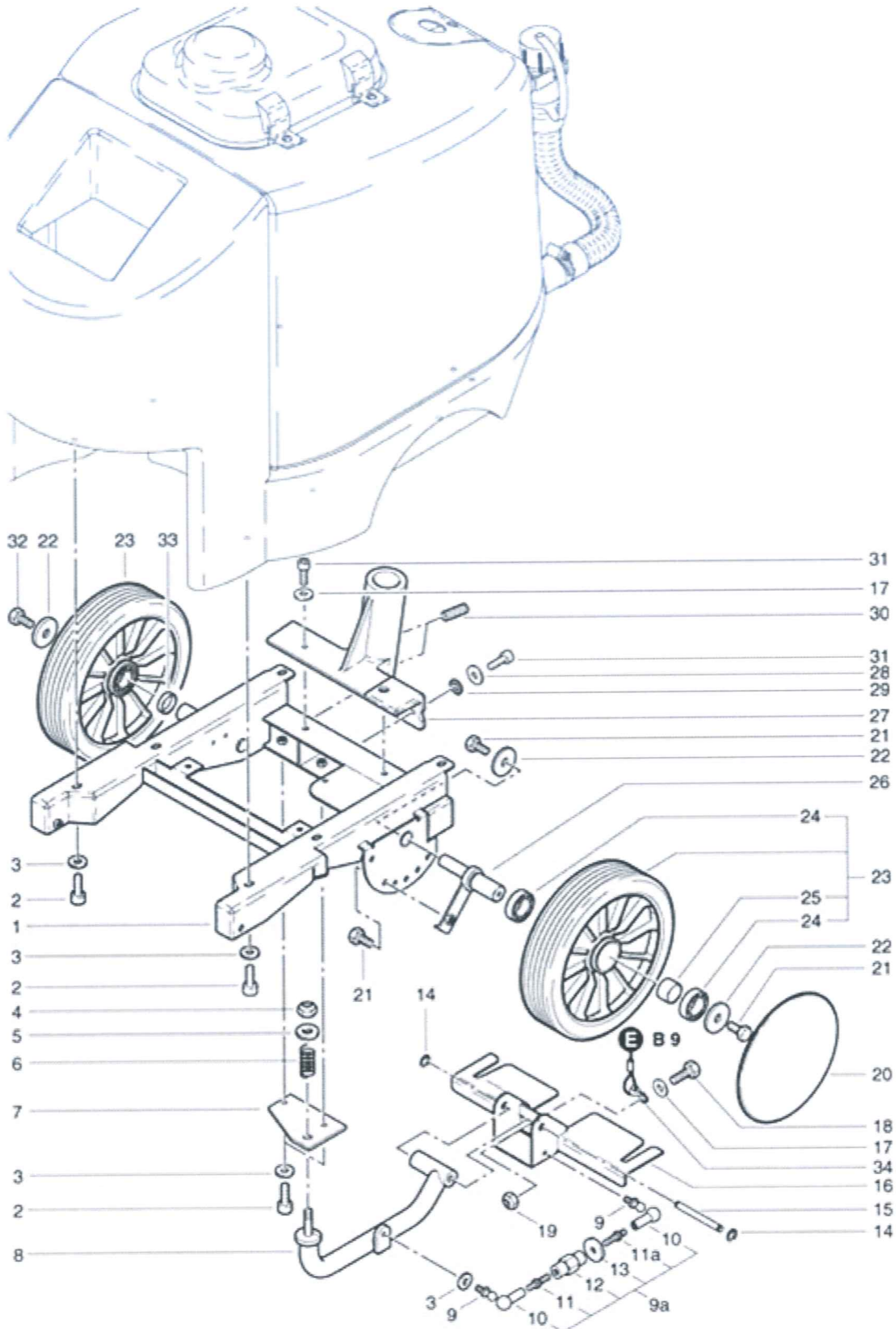


RA 430 E

Vaccum motor assembly

As at: 07/01/11 Time:16:00

Pos.	Description	Reference
01	Filter	400.766
02	Suction tube	430.770
03	O-ring 28x2	P...961E
04	PT-screw KA 40x12	P...516P
05	Connector	430.731
06	Hose clamp	P...206D
07	Connection hose	430.486
08	Security nut M 6	P...493K
09	Washer dm 6x18	P...496L
10	Vacuum motor	430.491
11	Pair of carbon brushes	P...870KB
12	Distance piece	P...509C
13	Washer M 6	P...497K
14	Motor support	430.159
15	Hexagon screw M 6x25	P...471Q
16	Hexagon screw M 6x12	P...470R
17	Motor holder	430.164
18	Round buffer	500.499
19	Noise absorber for vac motor	430.494
20	Cable tree with capacitor	430.319B
21	Cable tie	P...424
22	Male spadeup to machine no. 8506	P...401 A



RA 430 E

Chassis and wheel

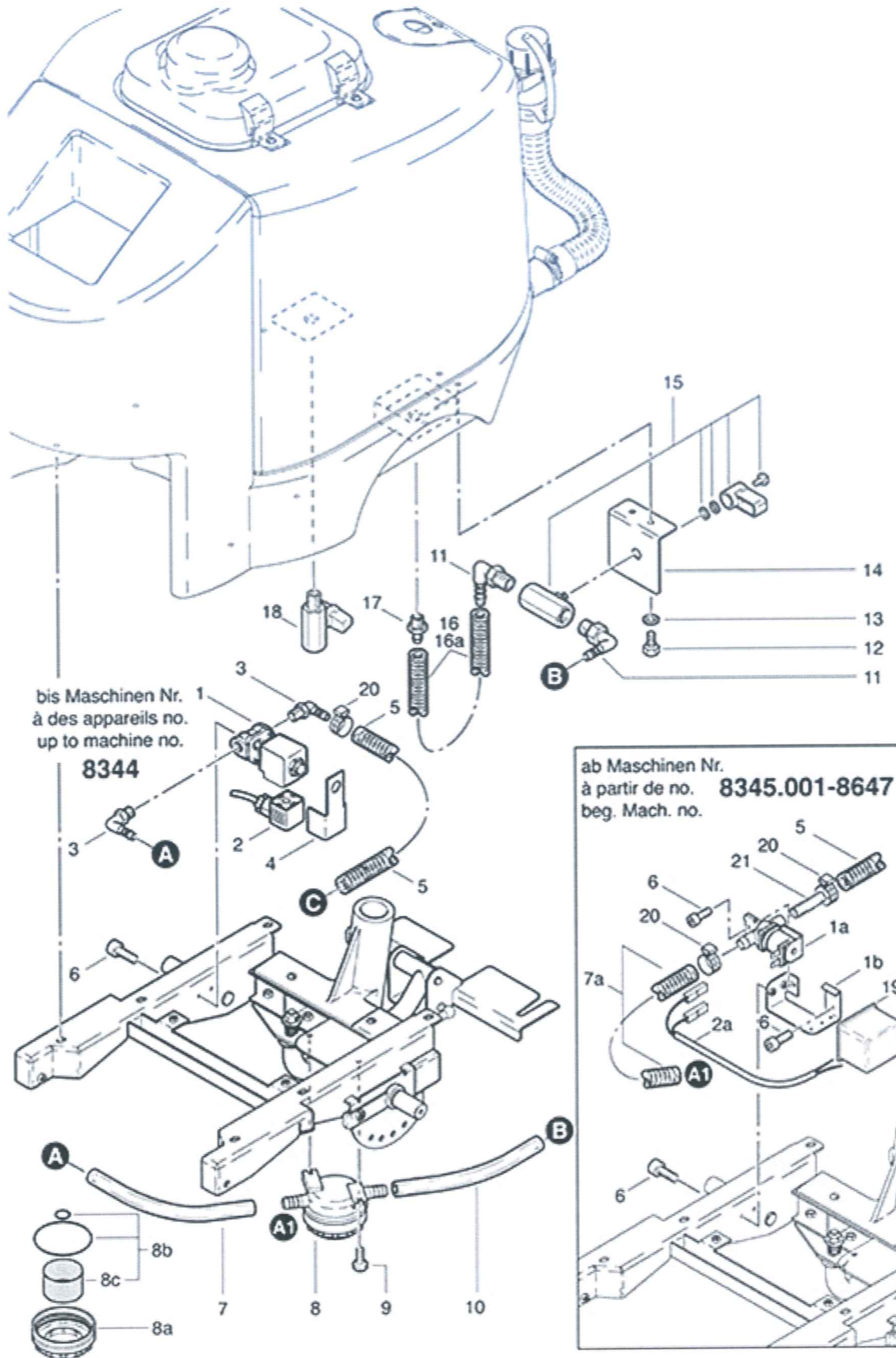
As at: 07/01/11 Time:15:59

Pos.	Description	Reference
01	Chassis	430.111
02	Cylindrical screw M 6x12	P...486Q
03	Washer M 6	P...496L
04	Security nut M 8	P...492H
05	Washer 1/2 M 8	P...496P
06	Pressure spring	P...809E
07	Fixing plate	430.118
08	Lever	430.816
09	Ball pin	P...512B
09a	Adjusting spindle complete including Items 10-13	450.366
10	Ball socket	P...512A
11	Ball pin left	450.366E
11a	Ball pin right	450.366D
12	Adjusting spindle	450.366 A
13	Screw knob	P...494Y
14	Security washer d 7	P...513P
15	Pin	530.815
16	Support of squeegee	430.815
17	Washer M 5	P...496H
18	Hexagon screw M 5x14	P...488 F
19	Security nut M 5	P...492G
20	Wheel cover	530.242
21	Hexagon screw M 6x10	P...475 R
22	Washer 6/25x1.8	P...497Y
23	Wheel complete, including Items 24+25	530.240
24	Ball bearing	P...316P
25	Distance piece	530.246
26	Adjusting pin	430.116
27	Complete support	430.140
28	Serrated lock washer M 5	P...499C
29	Washer M5	P...496 G
30	Threaded pin M 8x20	P...482U
31	Cylindrical screw M 5x16	P...488 G
32	Hexagon screw M 6x16	P...470T
33	Distance piece	430.243
34	String holder	500.717

RA 430 E

Magnetic valve and Filter assembling as from machine no. 8344

As at: 07/01/11 Time:16:01



RA 430 E

Magnetic valve and Filter assembling as from machine no. 8647

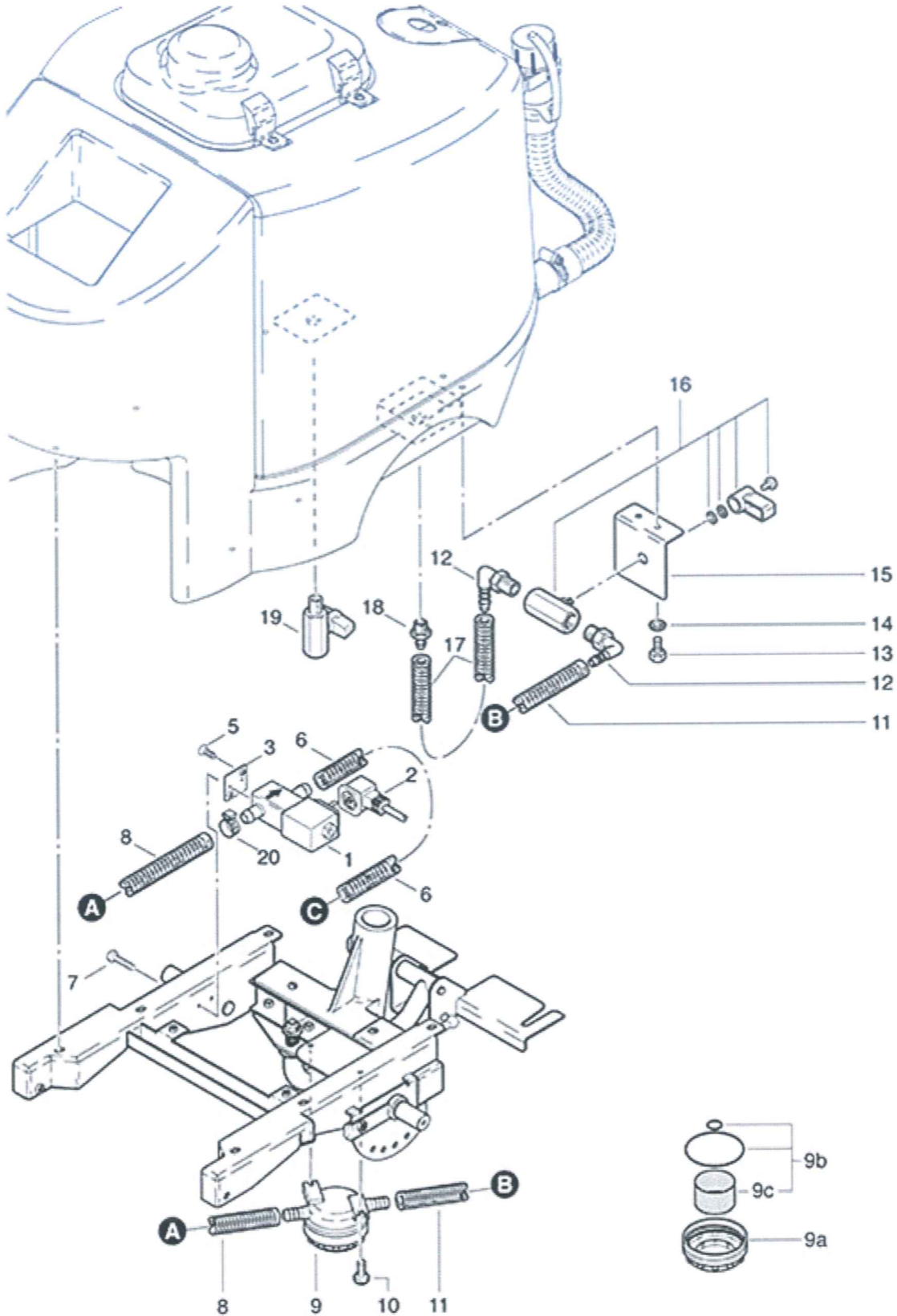
As at: 07/01/11 Time:16:01

Pos.	Description	Reference
01	Magnetic valve 2-way up to machine no. 8344	550.081
01a	Valve 230 V beg. Mach. no. 8345 001	430.230
01b	Valve support plate beg. Mach. no. 8345 001	430.240
02	Cable to magnetic valve up to machine no. 8344	430.316
02a	Cable to magnetic valve beg. Mach. no. 8345 001	430.316 A
03	Angled nipple 3/8" up to machine no. 8344	P...541 D
04	Magn. valve protection up to machine no. 8344	550.105
05	Hose 620mm	430.231
06	Cylindrical screw M 4x10	P...486 C
07	Hose 150 mm up to machine no. 8344	430.236
07a	Hose 190 mm beg. Mach.no.8411 001	430.236 A
08	Filter	430.759
08a	Filter cover	430.258
08b	Filter kit	430.759 A
08c	Filter	430.759 B
09	Screw M 4x12	P..481 X
10	Hose 120 mm	430.233
11	Angled nipple 3/8"	P...541 C
12	Pan head screw M 6x12	P...470 R
13	Serrated lock washer M 6	P...498 K
14	Angled support	430.156
15	Valve complete	500.355
16	Hose 190 mm up to machine no. 8344	430.234
16a	Hose 320 mm beg. machine no. 8411.001	430.234 A
17	Straight nipple	P...540 N
18	Valve complete	P...508 A
19	Protection cap	430.233 B
20	Hose clamp Ø 19.8 mm	P...550 N
21	Reduction hose	470.236

RA 430 E

Magnetic valve and Filter assembling beg. machine no. 864

As at: 07/01/11 Time:16:01



RA 430 E

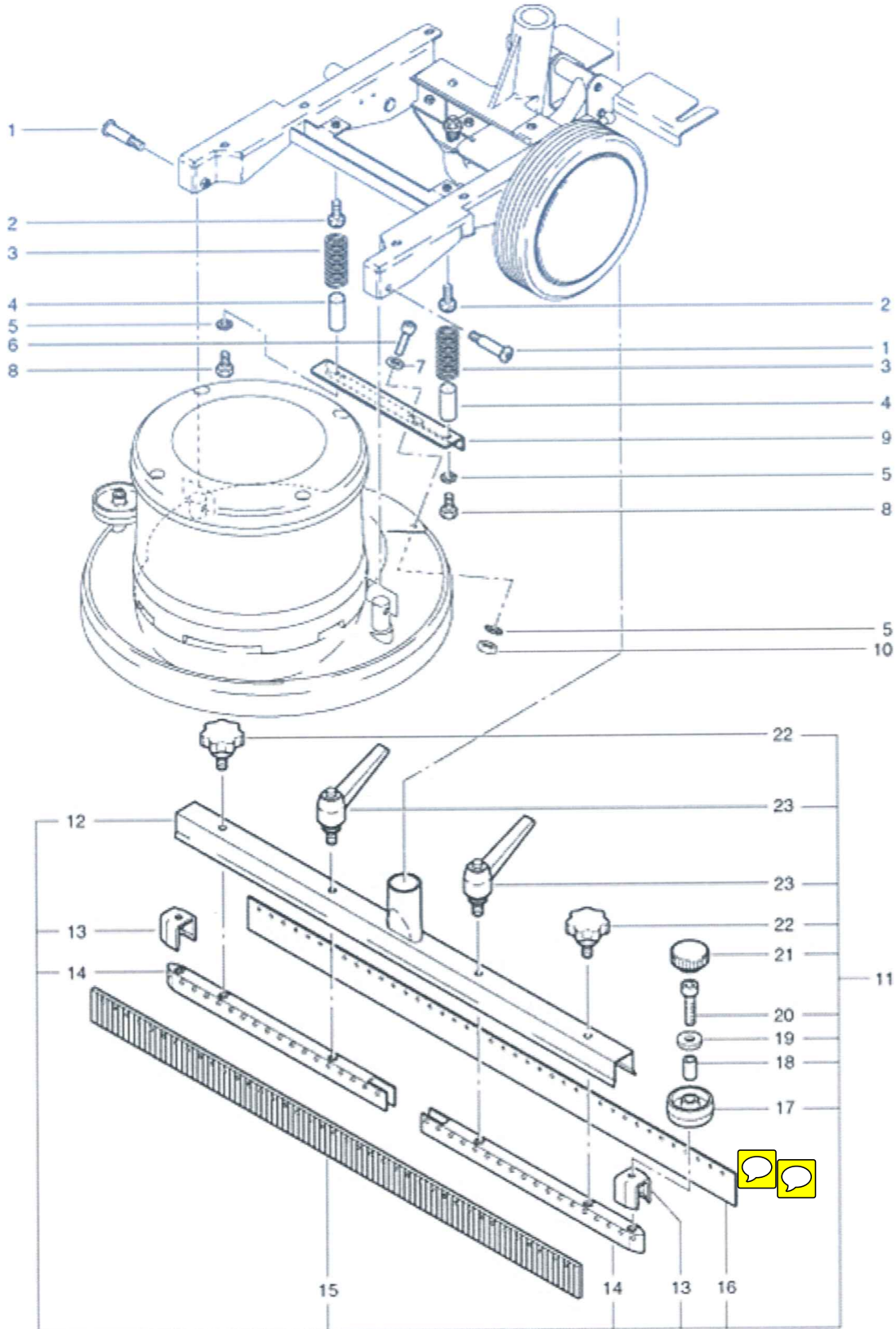
Magnetic valve and Filter assembling beg. machine no. 8648.001

As at: 07/01/11 Time:16:01

Pos.	Description	Reference
01	Magnetic valve 230 V	P...257
02	Cable for magnetic valve	P...263
03	Retaining plate	430.240
05	Countersunk screw KA 40x10	P...517 BA
06	Hose 620 mm	430.231
07	PT-screw KA 40x20	P...515 X
08	Hose 150 mm	430.236
09	Filter	430.759
09a	Filter cover	430.258
09b	Filter kit	430.759 A
09c	Filter	430.759 B
10	Screw M 4x12	P...481 X
11	Hose 120 mm	430.233
12	Angled nipple 1/2"	P...541 C
13	Hexagon screw M 6x12	P...470 R
14	Serrated lock washer M 6	P...498 K
15	Angled support	430.156
16	Valve complete	500.355
17	Hose 320 mm	430.234 A
18	Straight nipple	P...540 N
19	Valve complete	P...508 B
20	Hose clip 19.8-706 R	P...550 N

RA 430 E
Front suction nozzle

As at: 07/01/11 Time:16:02



RA 430 E

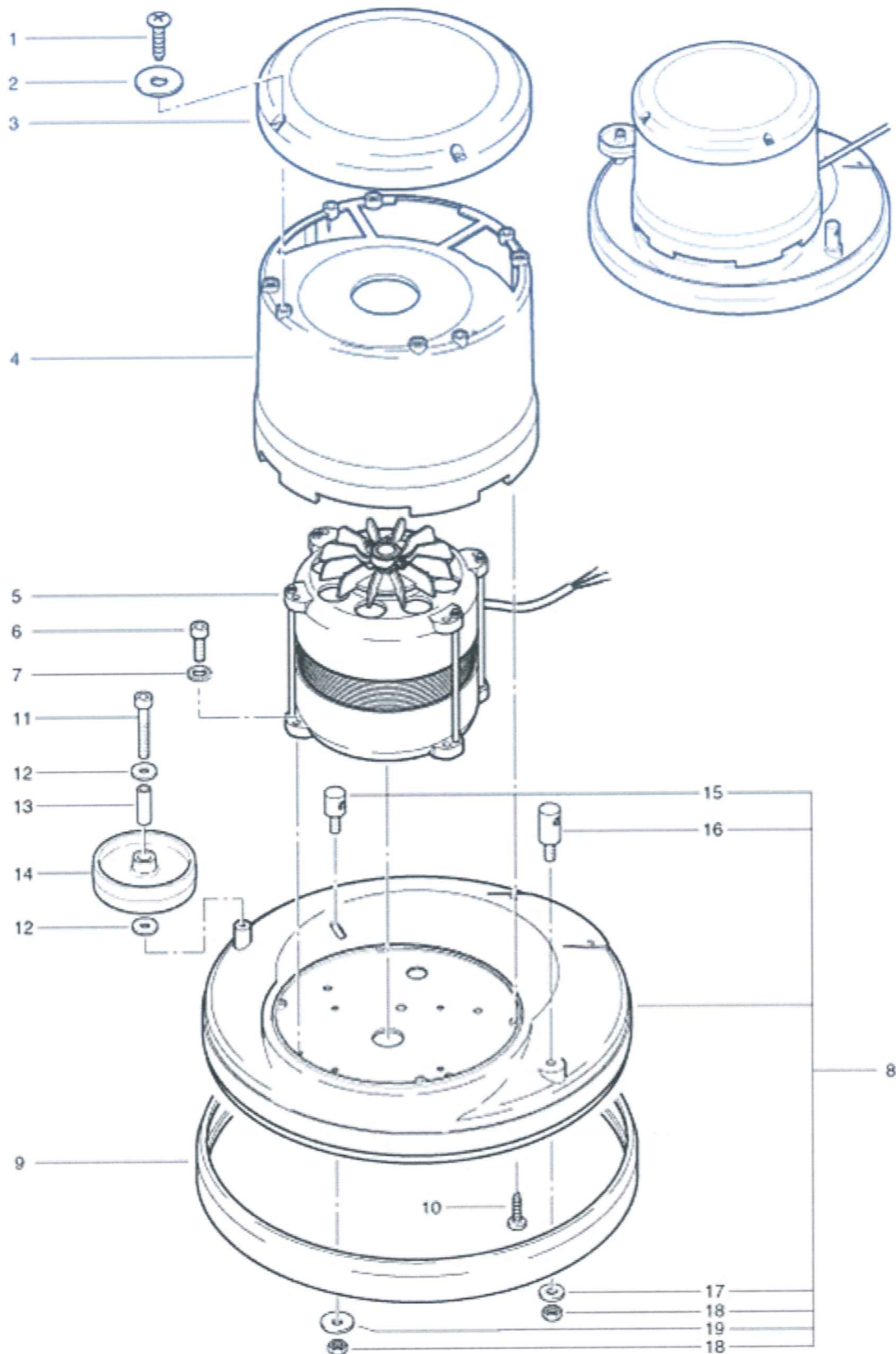
Front suction nozzle

As at: 07/01/11 Time:16:02

Pos.	Description	Reference
01	Vis	P...513R
02	Pan head screw M 6x10	P...475M
03	Pressure spring	430.145
04	Guiding pin	430.168
05	Serrated lock washer M 6	P...498K
06	Cylindrical screw M 6x25	P...486T
07	Washer M 6	P...496K
08	Hexagon screw M 6x12	P...470T
09	Spring holder	430.126
10	Hexagon nut M 6	P...490D
11	Suction nozzle complete, including items 12-23	430.600
12	Clamping guide	430.602
13	Nozzle end piece	530.606
14	Nozzle insert	430.603
15	Rubber blade (brown) 	430.604
16	Rubber blade (blue)	430.605
17	Fender wheel	450.364F
18	Distance piece	530.609
19	Washer 6/16x10	P...497M
20	Cylindrical screw M 6x35	P...486U
21	Screw knob M 6x20	P...494X
22	Star handle	530.607
23	Locking handle	P...253B

RA 430 E
Motor

As at: 07/01/11 Time:16:01



RA 430 E

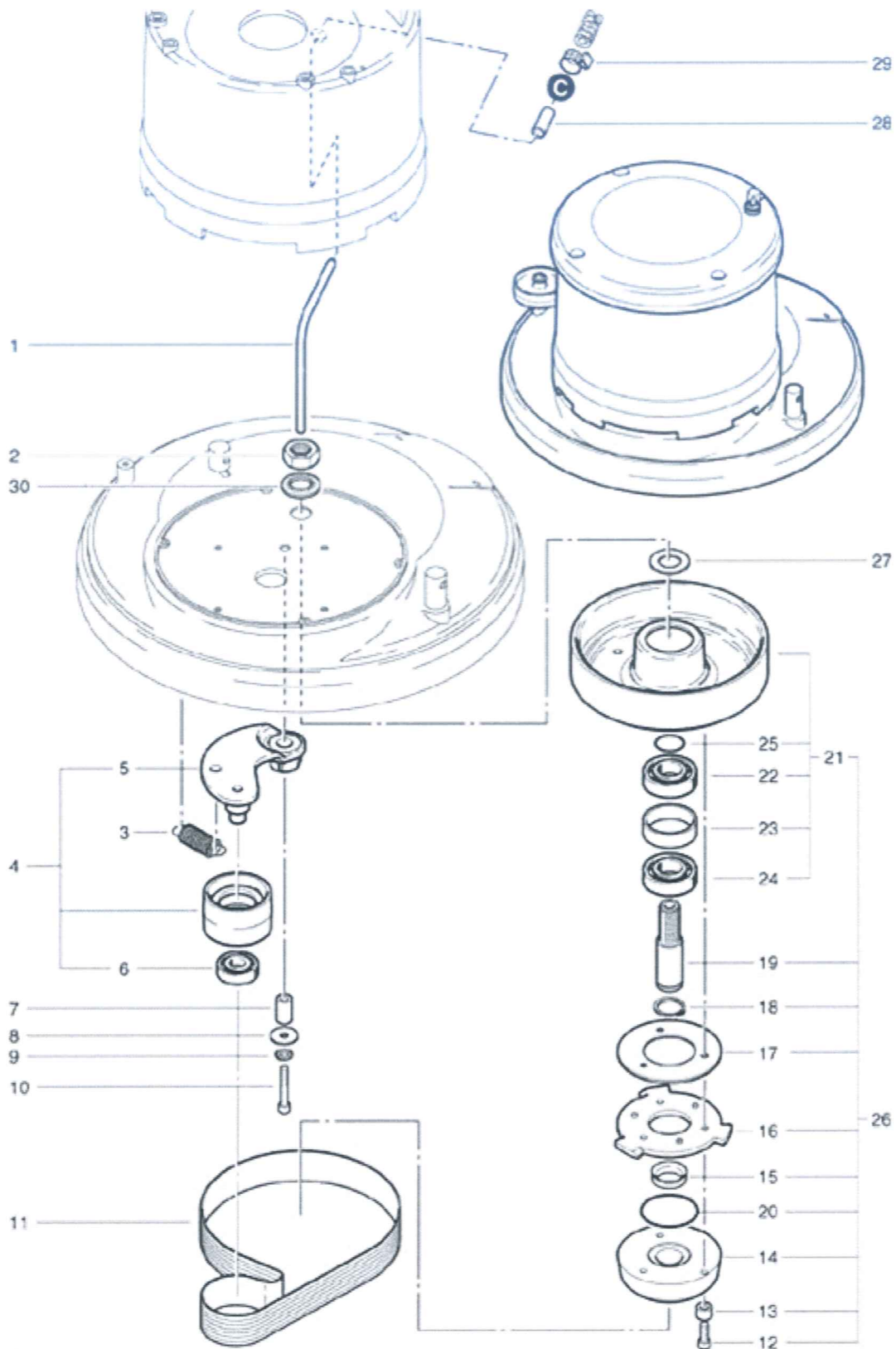
Motor

As at: 07/01/11 Time:16:01

Pos.	Description	Reference
01	Screw M 5x10up to Machina No. 8511	P...481 Z
01.	Screw KA 50x16beg. Mach. Nr. 8512.001	P...516 H
02	Washer 5.3/15/1,2	P...496G
03	Red cover	47114065
04	Motor housing red	741.065
05	Motor complete	742.121
06	Cylindrical screw M 6x25	P...486T
07	Serrated lock washer M 6	P...498K
08	Motor housing including Items 15-19	430.210
09	Shock protection	741.053A
10	PT-screw KA50x24	P...515L
11	Hexagon socket screw M 6x45	P...488U
12	Washer dm 6/18x1,7 mm	P...496L
13	Distance ring 6/10x30 mm	530.138
14	Fender wheel 75 mm	530.136
15	Hold bolt small	430.214
16	Hold bolt great	430.215
17	Washer M 8	P...496P
18	Hexagon nut M 8	P...492H
19	Washer M 8x25	P...496Q

RA 430 E
Drive and waterdistribution

As at: 07/01/11 Time:16:02



RA 430 E

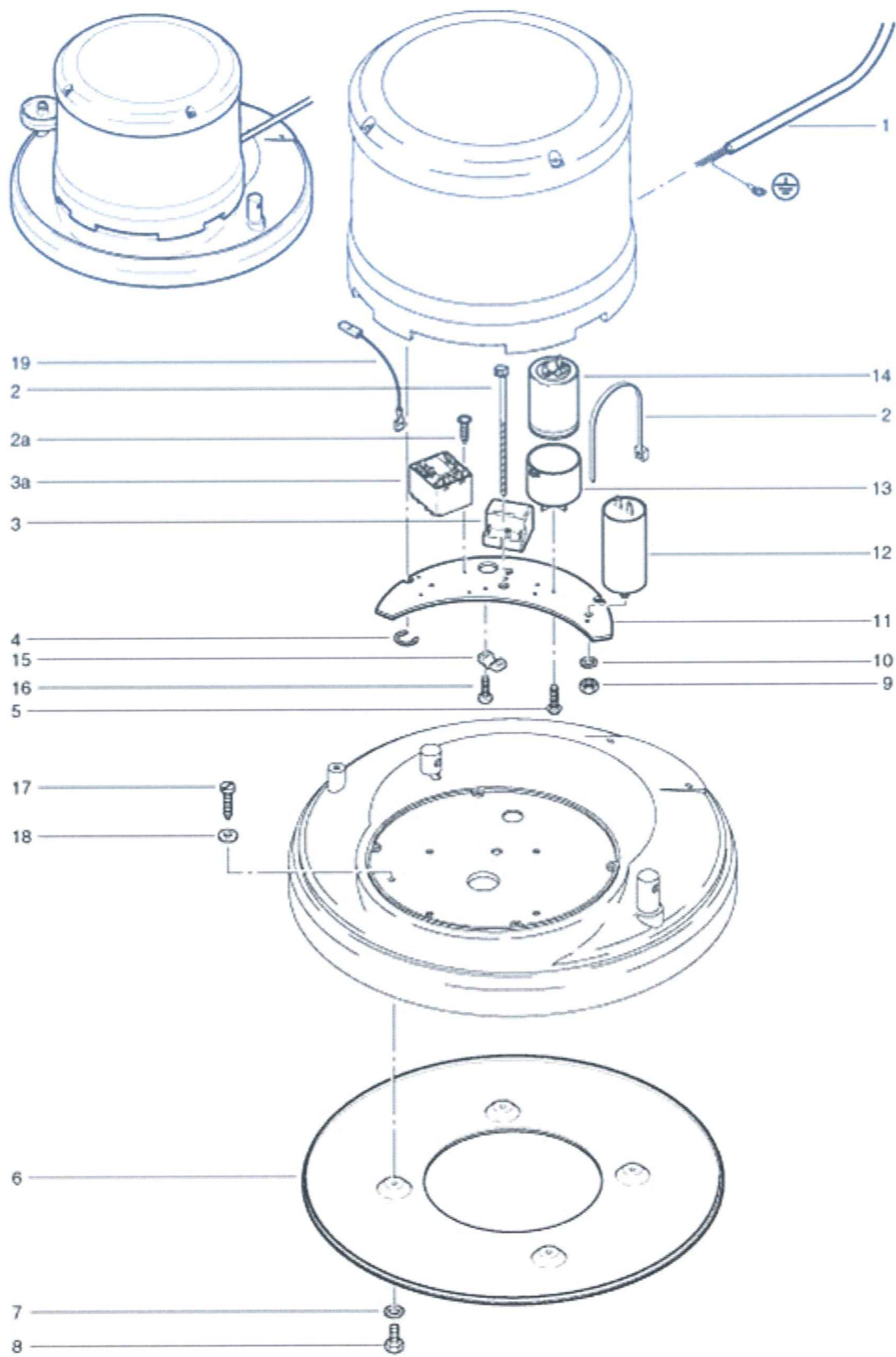
Drive and waterdistribution

As at: 07/01/11 Time:16:02

Pos.	Description	Reference
01	Distribution tube	430.166
02	Hexagon nut	P...492R
03	Spring	741.069
04	Lever compl.	742.100
05	Lever	742136
06	Ball bearing	P...316 O
07	Distance ring	742.135
08	Washer M 8	P...496Q
09	Security ring M 8	P...498N
10	Cylindrical screw M 8x40	P...487 I
11	Poly-V belt	6390520
12	Cylindrical screw M 6x20	P...487S
13	Distance ring 6x8/4 mm	742.129
14	Brush support	430.157
15	V-profile ring	P...343A
16	Star wheel	742.141
17	Distanzscheibe 53x99x1	430.136
18	Security ring dm 25	P...513D
19	Main axle	741.125
20	O-ring 52x2.62	P...964 B
21	Drive pulley complete, including items 22-25	742.130
22	Ball bearing	P...316 Q
23	Intermediate ring	3611851
24	Ball bearing	P...316 P
25	O-ring 25x2.62	P...964 A
26	Belt wheel pre-mounts	742.126
27	Washer	430.151
28	Reducing hose	530.467
29	Hose clamp Ø 19,5 mm	P...550 E
30	Washer 20,5x40	P...498 Q

RA 430 E Capacitor

As at: 07/01/11 Time:15:59



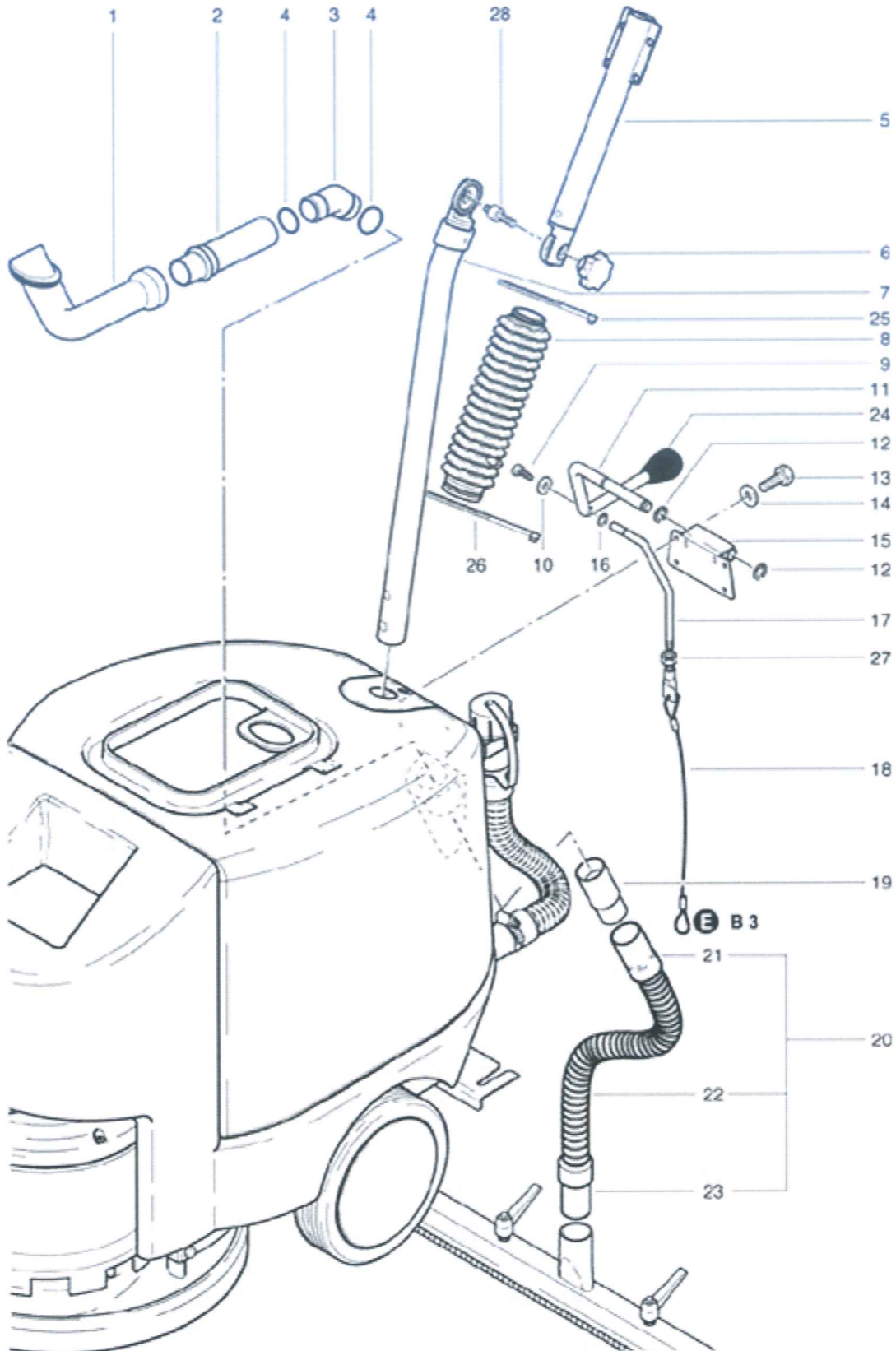
RA 430 E Capacitor

As at: 07/01/11 Time:15:59

Pos.	Description	Reference
01	Motor cable	430.317
02	Cable tie up to machine no. 8326	P...424
02a	PT screw KA 30x10 as from machine no. 8327	P...516A
03	Relay up to machine no. 8326	6630443
03a	Relay as from machine no. 8327	P...350
04	Fuse ring	P...499Q
05	Screw	P...515G
06	Bottom plate	742.146
07	Serrated lock washer M 5	P...498D
08	Hexagon screw M 6x12	P...470R
09	Nut M 8	P...491F
10	Security washer M 8	6610419
11	Reinforcement piece	790.351
12	Capacitor 25 uF	P...385J
13	Capacitor holder	741.316
14	Capacitor 125 uF	742.328
15	Cable clamp	4611085
16	Screw M 5x16	P...515K
17	Screw M 4x8	P...478B
18	Washer M 4	P...497D
19	Cable	790.556
20	Cable tie 360 mm	P...424 A

RA 430 E
Hose and angled tube

As at: 07/01/11 Time:16:03



RA 430 E

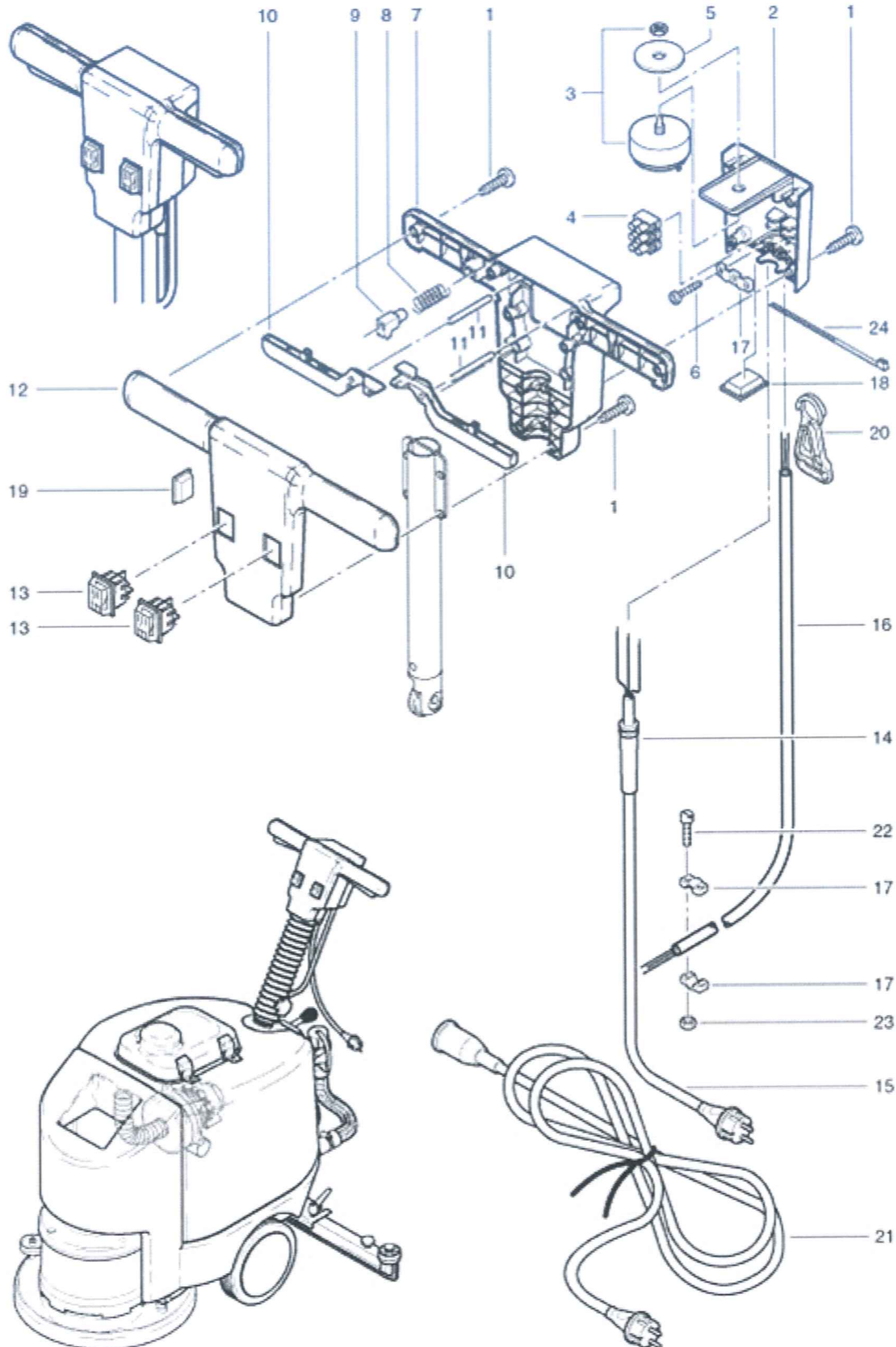
Hose and angled tube

As at: 07/01/11 Time:16:03

Pos.	Description	Reference
01	Angle	430.734
02	Intermediate tube	430.760
03	Angled tube	430.716
04	O-ring 28x2	P...961E
05	Upper handle tube	430.620
06	Star handle	430.346
07	Lower angled tube	430.350
08	Protection	470.621
09	Pan head screw M 4x5	P...475C
10	Washer M 4	P...497C
11	Lever	430.823
12	Security washer 10 mm	P...498T
13	Hexagon screw M 5x12	P...470H
14	Washer M 5	P...496G
15	Suspension	430.812
16	Security washer 6 mm	P...498LL
17	Lever	430.824
18	String	430.817
19	Inserting tube	430.732
20	Hose complete,including items 21-23	430.831
21	Hose socket	P...562 C
22	Hose 430 mm	430.832
23	Hose socket	P...575 B
24	Handle	530.809
25	Cable tie	P...609
26	Cable tie	P...609B
27	Nut M 8	P...491M
28	Threaded pin	430.614

RA 430 E
Handle

As at: 07/01/11 Time:16:02



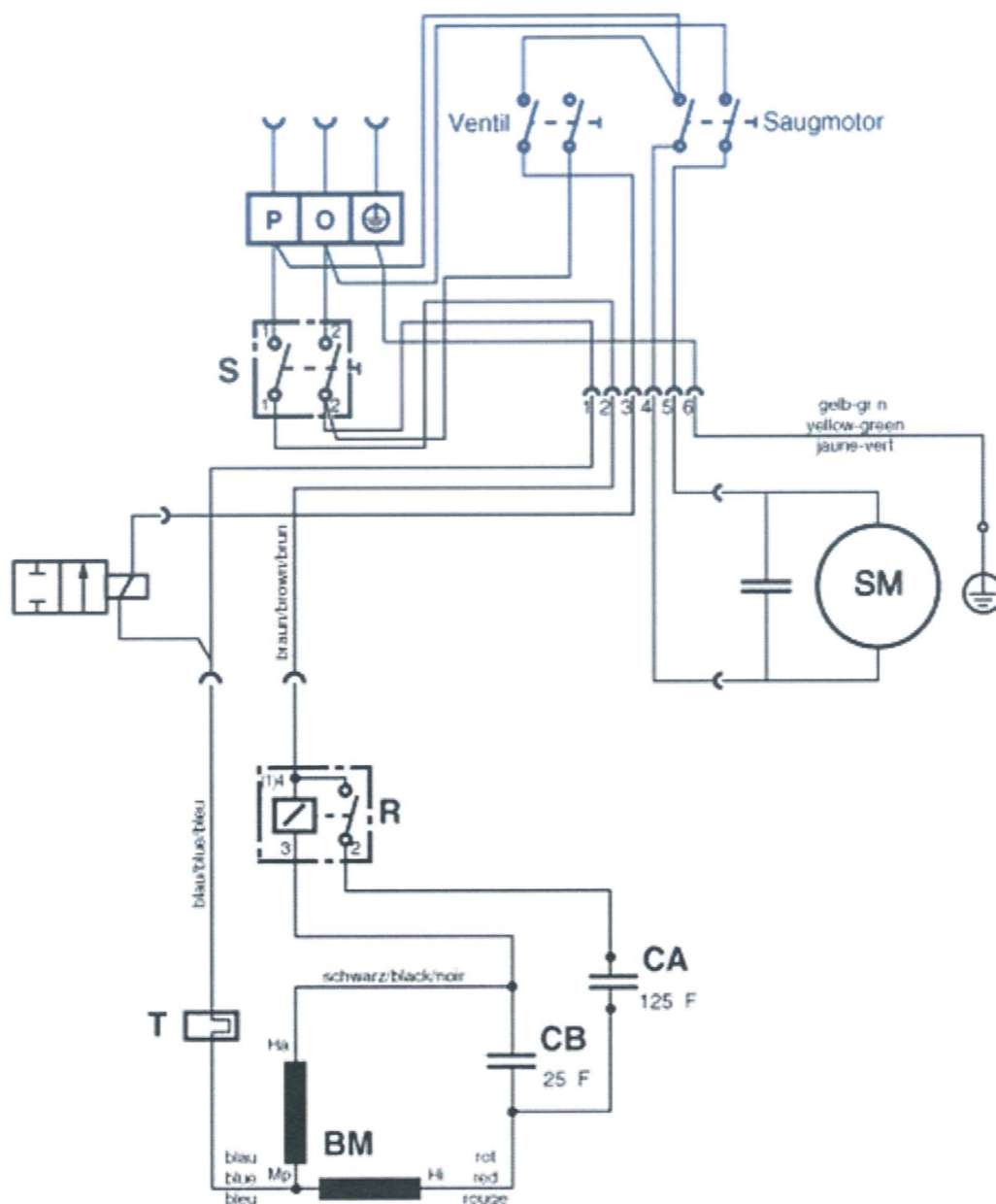
RA 430 E

Handle

As at: 07/01/11 Time:16:02

Pos.	Description	Reference
01	PT screw KA 50x25	P...515L
02	Rear handle cover	741.310
03	Switch (2)	6650454
04	Electrical terminal (3)	P...383N
05	Washer M 12/13/37/3	P...496
06	Screw M 5x20	P...515K
07	Rear handle housing	430.324
08	Pressure spring	742.209
09	Button	742.208
10	Switch handle	741.204
11	Cylindrical pin dm 6 x 50	P...512M
12	Front handle housing	430.321
13	Tumbler switch	P...240
14	Rubber clamp	P...408K
15	Cable 600 mm	P...400B
16	Cable tree for pushbar	430.319A
17	Cable clamp	4611085
18	Cover black	741.216
19	Cover	P...171 O
20	Cable assembly discharge	P...375
21	Power cable VDE 20m	500.863
22	Hexagon screw M 5x25	P...476H
23	Security nut M 5	P...492G
24	Cable tie	P...421

Stromlaufplan RA 430 E bis, des, up to KW 26-2003



- S = Taster B rstmotor / Tumbler switch for motor / Interrupteur pour moteur
R = Startrelais / Relais / Relais de d marage
CA = Anlaufkondensator 125 F / Capacitor 125 F / Capaciteur 125 F
CB = Betriebskondensator 25 F / Capacitor 25 F / Capaciteur 25 F
BM = B rstmotor / Motor / Moteur
SM = Saugmotor / Moteur d'aspiration / Vacuum motor
T = Thermoschalter

RA 430 E

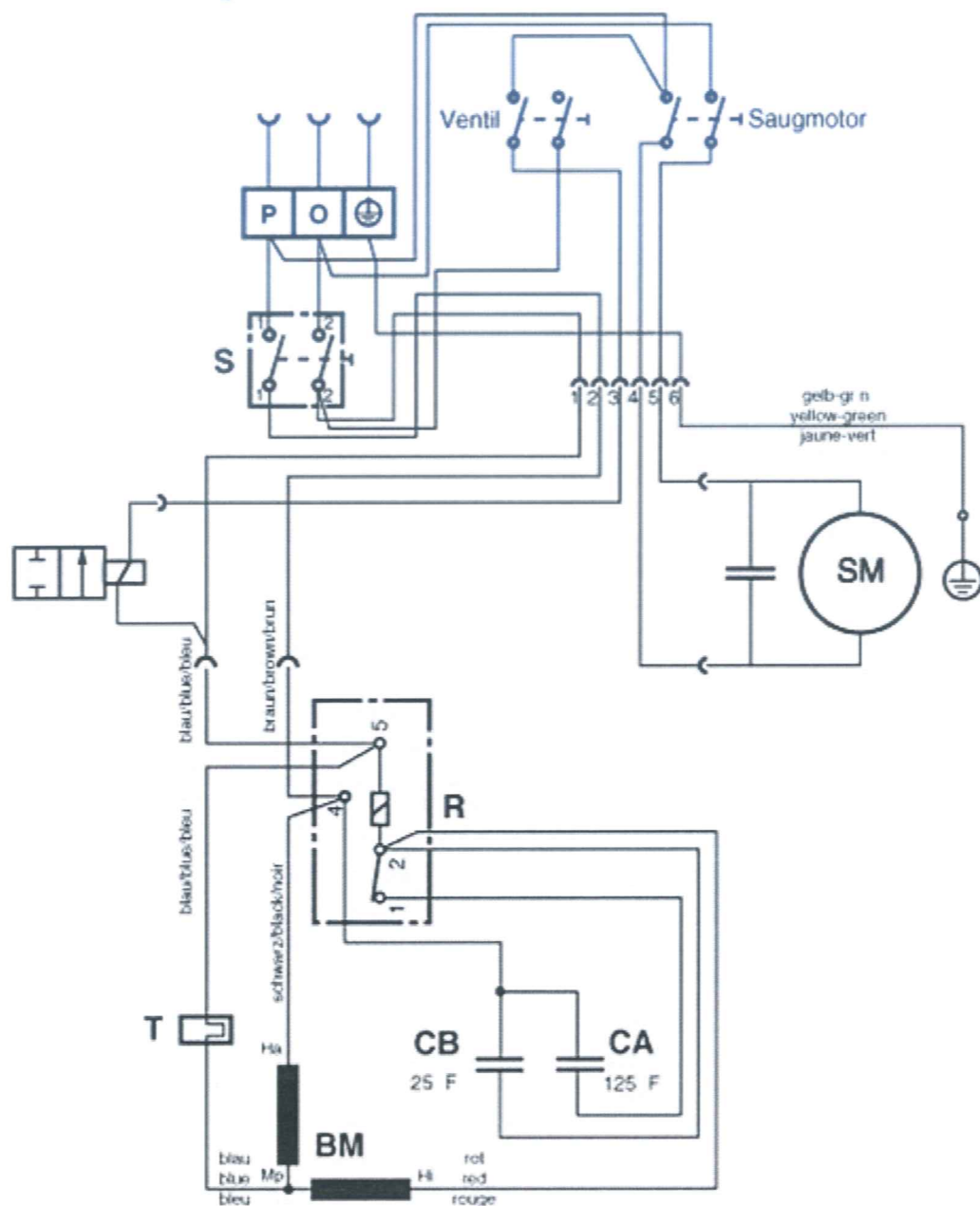
Wiring diagram up to KW 26/20003

As at: 07/01/11 Time:16:00

Pos.	Description	Reference
BM	Motor	742.121
CA	Capacitor 125 μ F	742.328
CB	Capacitor 25 μ F	P...385J
R	Relais	6630443
S	Tumbler switch for motor	6650454
SM	Vacuum motor	430.491
T		



Stromlaufplan RA 430 E ab, partir, as from KW 27-2003



- S = Taster B rstmotor / Tumbler switch for motor / Interrupteur pour moteur
- R = Startrelais / Relais / Relais de d marage
- CA = Anlaufkondensator 125 F / Capacitor 125 F / Capaciteur 125 F
- CB = Betriebskondensator 25 F / Capacitor 25 F / Capaciteur 25 F
- BM = B rstmotor / Motor / Moteur
- SM = Saugmotor / Moteur d'aspiration / Vacuum motor
- T = Thermoschalter

RA 430 E

Wiring diagram as from KW 27/2003

As at: 07/01/11 Time:16:00

Pos.	Description	Reference
BM	Motor	742.121
CA	Capacitor 125 μ F	742.328
CB	Capacitor 25 μ F	P...385J
R	Relais	P...350
S	Tumbler switch for motor	6650454
SM	Vacuum motor	430.491
T		