

# GU 350A/450A

---

Model:  
GU 350 A  
GU 450 A



Part List US-English

19-05-2011

# Table of Contents

GU 350A/450A

<b>Vacuum body line drawing</b>	<b>3</b>
<b>Vacuum body part numbers</b>	<b>6</b>

# Vacuum body line drawing

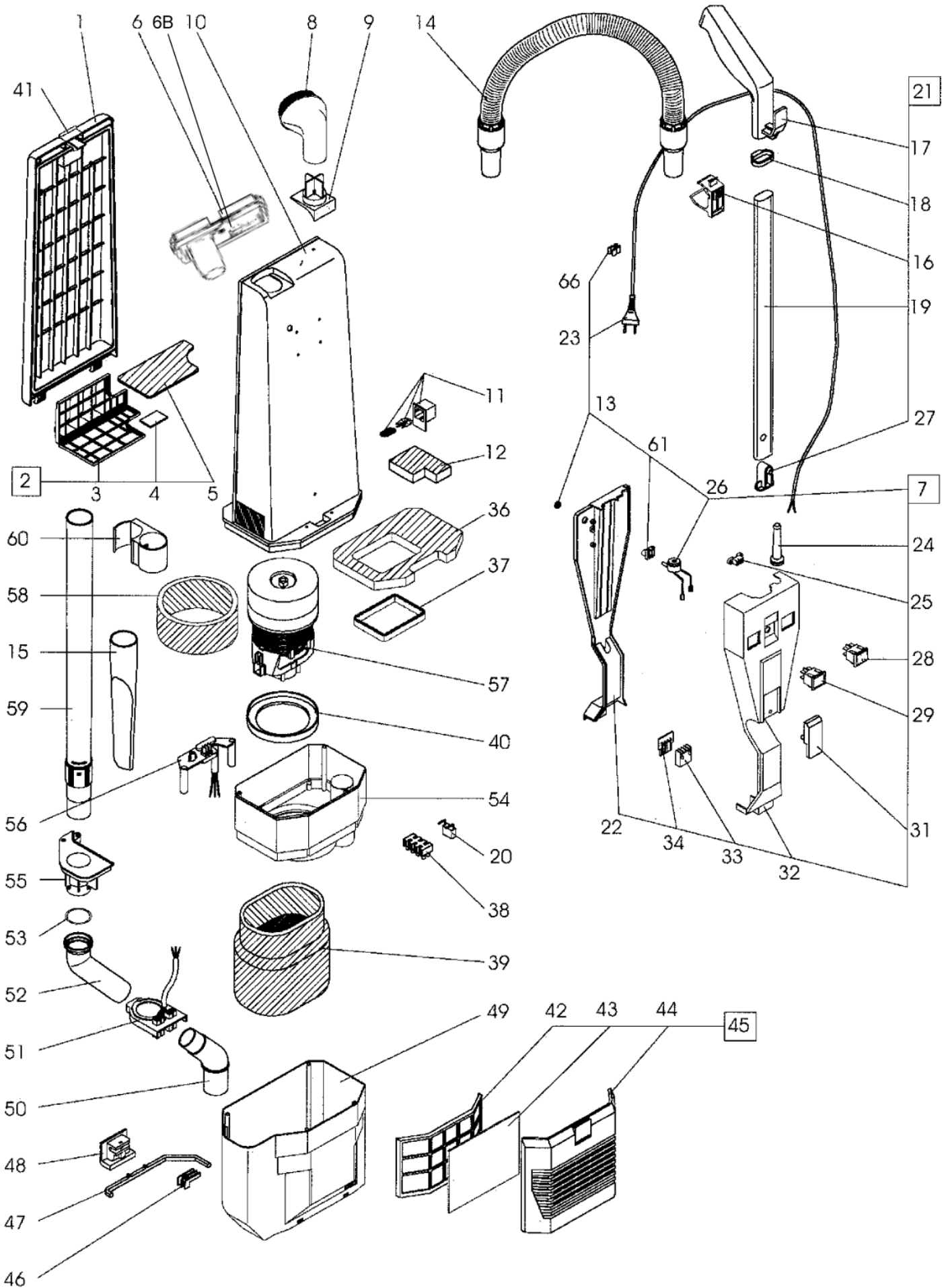
GU 350A/450A

19-05-2011

Part List ID

B26123

3



# Vacuum body line drawing

GU 350A/450A

19-05-2011

Part List ID  
B26123

4

Pos	Part no.	Qty	Description		EAN
0	56320676	1	CLIP BAG HC23C	Accessory	5711144062
0	56703658	1	CLOTH BAG	Accessory - Package of 5	5715492022
0	56703771	1	EXTENSION TUBE	Accessory	
0	56703772	1	TUBE BEND W/SUCTION	Accessory	
0	56703774	1	FURNITURE FLOOR NOZZ. WITH BRUSH	Accessory	
0	56703868	1	DUST BAG 10 PCS FOR DU135 +	Accessory - Package of 10	5715492022
1	56704205	1	BAG HOUSING COVER		
2	56646851	1	GRILL CPL.		
3	56703712	1	HOLDER, FILTER		
4	56703714	1	PAD, SCENTED 10 PACK		
5	56703713	1	FILTER		
6	140 9325 000	1	SAFETY SUPPORT CLIP		
7	140 7924 000	1	ELECTRICAL SYSTEM ASSY.	220-240V, Schuko plug EU	
7	140 7925 000	1	ELECTRICAL SYSTEM ASSY.	240V, Australien plug	
7	140 7926 000	1	ELECTRICAL SYSTEM ASSY.	230V, Swiss plug	
7	140 7927 000	1	ELECTRICAL SYSTEM ASSY.	240V, UK plug	
7	140 9316 000	1	ELECTRICAL SYSTEM 100 V	100V, Japan plug	
8	56703785	1	ROUND DUSTING BRUSH		
9	56646858	1	HOLDER FOR BRUSH NOZZLE		
10	56704207	1	BAG HOUSING		
11	56703779	1	RELIEF VALVE		
12	56646861	1	VALVE FILTER		
13	56703978	1	O-RING		
14	56704216	1	HOSE CPL.DU135		
15	56703725	1	CREVICE TOOL		
16	56704208	1	HOOK FOR HOSE		
17	56646865	1	HANDLE DU135		
18	56704209	1	CREVICE TOOL CLIP (RETAIN		
19	56704221	1	CHROMATE TUBE (ONLY)		
20	56703784	1	RFI FILTER		
21	56646869	1	HANDLE TUBE ASM.		
22	56704210	1	HANDLE COVER		
23	140 9317 000	1	CORD 2X18 JAPAN PLUG	2x18 Japan plug	
23	56703974	1	POWER CORD 220V SHUKO PLUG	2x1 Schuko plug	
23	56703982	1	POWER CORD 240V UK PLUG	2x1 UK plug	
23	56704144	1	POWER CORD AU PLUG	2x1 Australien plug	
24	56703662	1	STRAIN RELIEF		5711144143
25	56703977	1	CORD CLAMP		
26	56704159	1	SENSOR, VACUUM.		
27	56646875	1	BUTTON + SUPPORT + SPRING		
28	56703708	1	SWITCH, MAIN		
29	56703709	1	INDICATOR LIGHT		

# Vacuum body line drawing

GU 350A/450A

19-05-2011

Part List ID  
B26123

5

Pos	Part no.	Qty	Description	EAN
31	56646878	1	CORD HOOK	
32	56704211	1	FRAME HANDLE ASSY	
33	56646879	1	CONTACT HOUSING 4 POS.	
34	56646880	1	CONTACT COVER 4-POS	
36	56703706	1	FILTER	
37	56703705	1	GASKET, EXHAUST	
38	56703783	1	TERMINAL BLOCK	5711144169
39	56646884	1	FOAM MOTOR FILTER	
40	56646885	1	MOTOR SHELL	
41	56704212	1	BAG DOOR LATCH + SPRING	
42	56704222	1	FILTER HOLDER	
43	56646888	1	EXHAUST FILTER DU135	
44	56704223	1	EXHAUST FILTER COVER	
45	56704224	1	COMPLETE GRILL	
46	56703966	1	JOINT PIN	
47	56703938	1	BLOCKING JOINT PIN	
48	56646893	1	CONTROL PIN SLIDE DU135	
49	56704225	1	VACUUM MOTOR HOUSING	
50	56646895	1	LOWER CURVE	
51	140 7922 000	1	CURVE SUPPORT V.100-230-2	
52	56646897	1	UPPER CURVE	
53	56646898	1	GASKET	
54	56704215	1	INNER VACUUM MOTOR HOUSIN	
55	56646900	1	HOSE INLET	
56	141 2975 010	1	CORD CLAMP 100-240V, DU 1	
57	140 9320 000	1	VACUUM MOTOR 100AT 50-60HZ	
57	56704169	1	VACUUM MOTOR 240V	
57	56704237	1	VACUUM MOTOR 120V 750W	5711144144
57	56704238	2	BRUSH CARBON VAC MOTOR	Not shown 5711144144
58	56703775	1	FOAM	
59	56704213	1	TELESCOPIC TUBE	
60	56704214	1	WAND CLIP	
61	56704160	1	VACUUM SENSOR ADAPTOR	
6B	56703720	1	ADAPTER, BAG	

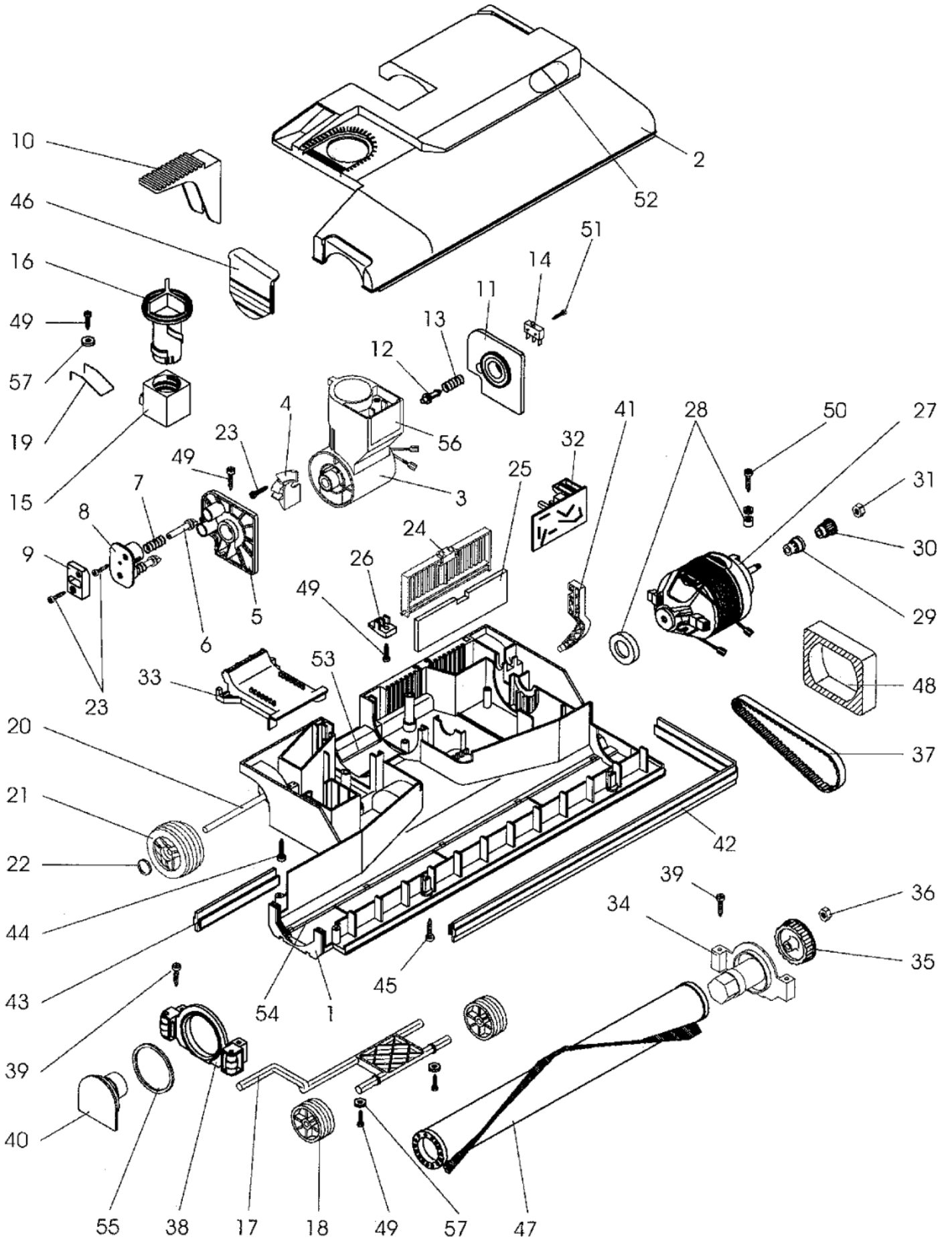
# Vacuum body part numbers

GU 350A/450A

19-05-2011

Part List ID  
B26126

6



# Vacuum body part numbers

GU 350A/450A

19-05-2011

Part List ID  
B26126

7

Pos	Part no.	Qty	Description	EAN
1	56704227	1	BODY MAIN BRUSH HEAD 380	
1	56704228	1	BODY MAIN BRUSH HEAD 500	
2	56704229	1	ELECTRIC BRUSH COVER W.G	WITH GASKET 380
2	56704230	1	ELECTRIC BRUSH COVER W.	WITH GASKET 500
3	56704064	1	JOINT COMPLETE WITH PIN SLID	
4	56704016	1	JOINT PIN SLIDE	
5	56704017	1	SUPPORT RT. JOINT WITH FELT	
6	56704018	2	PLUNGER	
7	56703766	2	SPRING	
8	56704019	1	DOUBLE PIN WASHER	
9	56704020	1	DOUBLE RELEASE PLATE	
10	56704107	1	HANDLE RELEASE PEDAL, DK.	
11	56704022	1	SUPPORT LT. JOINT WITH FELT	
12	56704023	1	SWITCH ACTIVATOR PIN	
13	56703659	1	SPRING, SWITCH	
14	56703738	1	SWITCH, BRUSH MTR.	
15	56703762	1	ADJUSTER BRUSH	5711144143
16	56703008	1	BRUSH ADJUSTER KNOB	
17	56704028	1	FRONT HANDLEBAR	
18	56703757	2	WHEEL, FRONT	
19	56704030	1	SPRING, BRUSH ADJUST	
20	56704031	1	REAR HANDLEBAR	
21	56704032	2	REAR WHEEL	
22	56704033	2	WHEEL RETAINER	
23	56704065	4	SCREW, 2.9 X 16MM	
24	56704106	1	FILTER GRILL, DK. GREY	
25	56704035	1	BRUSH MOTOR FILTER	
26	56704124	1	STOP GRILL PLATE,DK. GREY	
27	56703657	1	MOTOR, BRUSH 240V	
27	56703743	1	MOTOR, BRUSH/120V	
27	56704025	1	BRUSH MOTOR 240V FOR	
27	56704037	1	BRUSH MOTOR 120V	
28	56704038	1	BRUSH MOTOR SUPPORT KIT	
29	56704130	1	SPACER, METAL	
30	56704129	1	PULLEY, METAL	
31	56703853	1	BRUSH MOTOR NUT	
32	56703739	1	CIRCUIT BOARD 120V	
32	56704026	1	CIRCUIT BOARD 220/240 V	
33	56704155	1	CHANNEL COVER	
34	56704044	1	TRANSMISSION SUPPORT	
35	56704401	1	PULLEY WITH METAL INSERT	5711144144

# Vacuum body part numbers

GU 350A/450A

19-05-2011

Part List ID

B26126

8

Pos	Part no.	Qty	Description	EAN
36	56703746	1	NUT, BRUSH PULLEY	
37	56704039	1	BELT H7	
38	56704047	1	WHEELS SUPPORT	
39	56704041	4	SCREW, 3.9 X 16MM	
40	56704049	1	ROLLER SUPPORT	
41	56704050	1	SIDE LEVER	
42	56704051	1	FRONT BUMPER GASKET	FOR GU 350A
42	56704052	1	FRONT BUMPER GASKET	FOR GU 450A
43	56704053	1	BACK BUMPER GASKET	FOR GU 350A
43	56704054	1	BACK BUMPER GASKET	FOR GU 450A
44	56704055	5	SCREW, 4.8 X 50MM	
45	56704056	2	SCREW, 3.5 X 38MM	
46	56704105	1	SIDE COVER, DK. GREY	
47	56704058	1	BRUSH ROLLER	FOR GU 350A
47	56704059	1	BRUSH ROLLER	FOR GU 450A
48	56704060	1	BRUSH MOTOR FILTER	
49	56704046	5	SCREW, 3.9 X 13MM	
50	56704219	2	SCREW 3,5 X 22 MM	
51	56704045	1	SCREW, 2.2 X 16MM	
52	56704217	1	LENS SET RED/GREEN	
53	56704218	1	FELT FOR BRUSH HOUSING	
54	140 9323 000	1	BASE METAL GUIDES SET 380	
54	56704220	1	BASE METAL GUIDES SET 500	
55	56704135	1	O-RING	
56	56704131	1	PRONG SET WITH 3 CABLES	
57	56704231	3	WASHER	